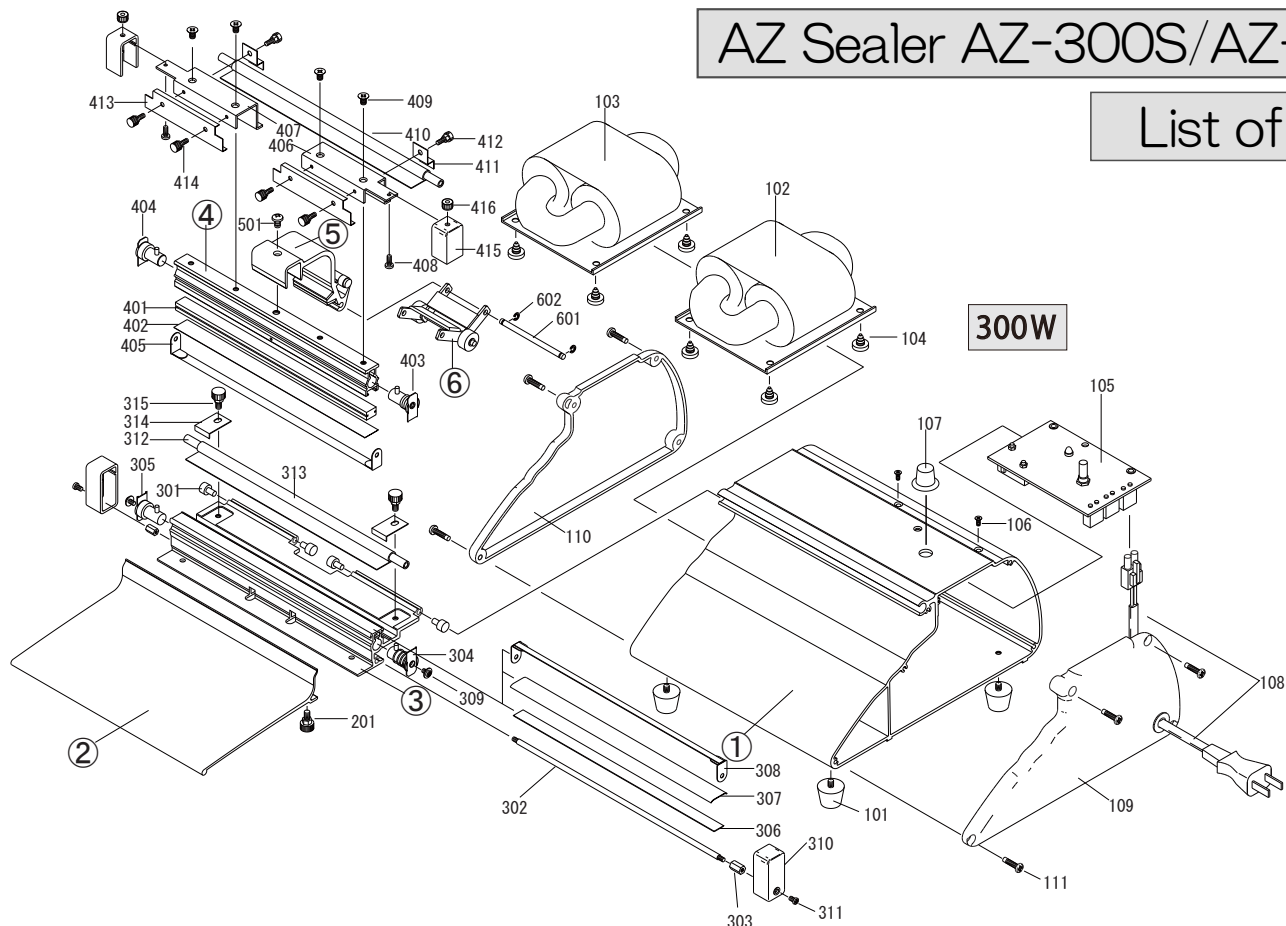


AZ Sealer AZ-300S/AZ-300W

List of Parts

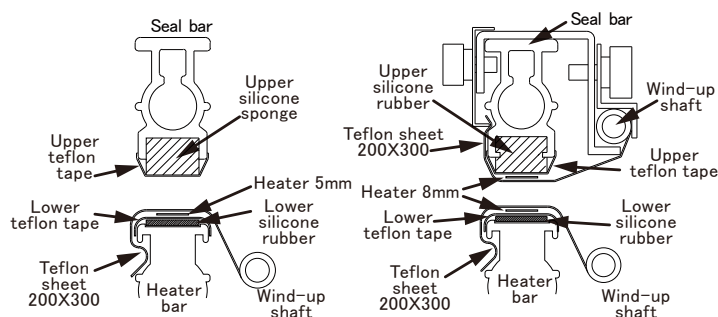


No.	Part Name	Model	
		300S	300W
101	Rubber legs		820134
105	Timer board ASSY		820805(*Fuse)
106	Timer screws (oval head)		820916
107	Timer knob		820130
108	Electric cord ASSY		820145.6
109	Frame cover, right		820115
110	Frame cover, left		820116
111	Frame cover screws		820922
②	Table		820124
201	Table screws (plastic head, white)		820921
③	Heater bar		820402
301	Hinge pins		820423
302	Heaterbar shaft		820436
303	Hexagon studs		820440
304	Heater holder, lower right		820202
305	Heater holder, lower left		820204
306	Lower silicone rubber		820421
307	Lower teflon tape		821212
308	Heater, 5mm (300S)	821032	-
308	Heater, 8mm (300W)	-	821042
309	Heater screws (3-part SEMS)		820915
310	Lower heater covers	820125	-
310	Lower heater covers	-	820125(C)
311	Heater cover screws (bind)		820914
312	Teflon wind-up shaft		821112
313	Teflon sheet 200x300mm		821230
314	Teflon clamp		821120
315	Teflon screws (plastic head, black)		820921
④	Seal bar	820312	820314
401	Upper silicone sponge	820331	-
401	Upper silicone rubber	-	820322
402	Upper teflon tape	821223	821224
403	Heater holder, upper right	-	820201
404	Heater holder, upper left	-	820203
405	Heater, 8mm	-	821042
408	Heater cover, upper screws (pan head)	-	820915
409	Sealbar clamp screws (oval head)	-	820918
410	Teflon sheet 200x300mm	-	821230
411	Teflon clamps, upper	-	821121
412	Teflon screws, upper (plastic head)	-	820923
413	Teflon holding clamps	-	820361
414	Teflon holding screws (knurled)	-	820923
415	Heater cover, upper	-	820125(C)
416	Heater cover nuts (knurled nut M3)	-	820926
⑤	Lever ASSY	820501	820502
501	Seal bar screws (stainless truss)		820919
⑥	Link ASSY	820601	820602

Structure of Sealing Part

300S

300W



Parts name	Part number	
	300S	300W
Upper silicone rubber	-	820322
Upper silicone sponge	820331	-
Teflon sheet 200X300		821230
Heater 5mm	821032	-
Heater 8mm	-	821042
Upper teflon tape	821223	821224
Lower teflon tape		821212
Lower silicone rubber		820421

300S

